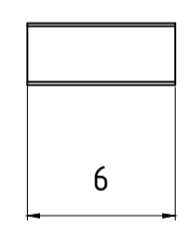
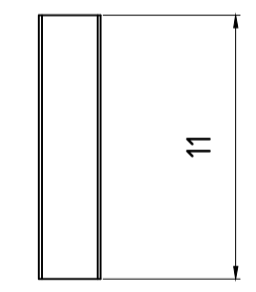


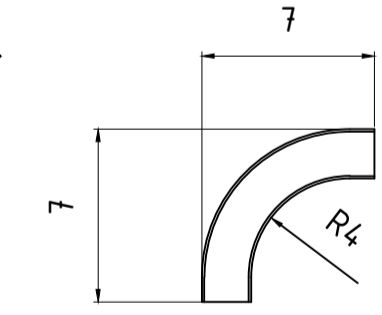
01. Long Steel Tube  
2" x 2" x 52"  
1pcs



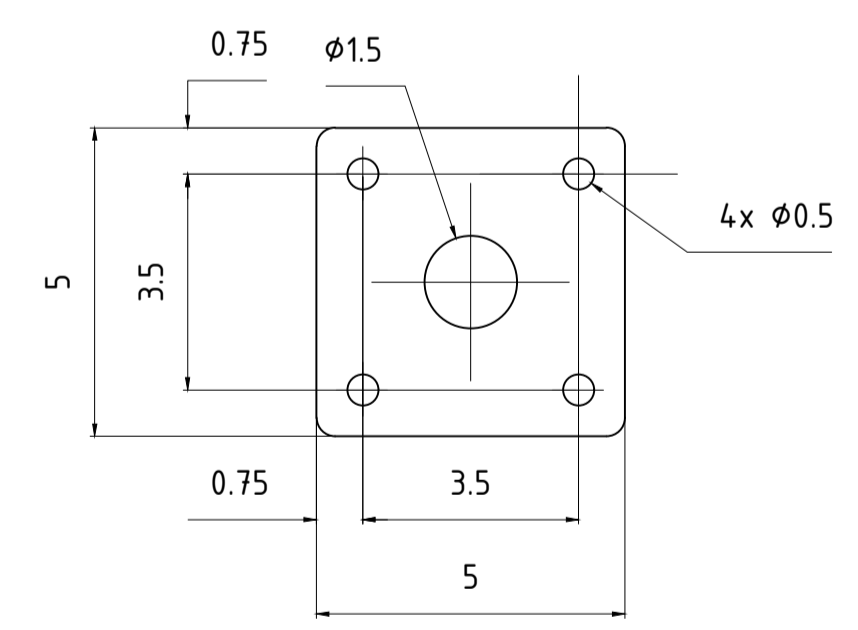
02. Short Steel Tube  
2" x 2" x 6"  
1pcs



After bending 90°

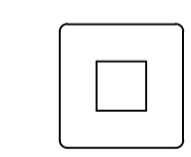


03. Curvy Steel Tube  
2" x 2" x 11"  
1pcs

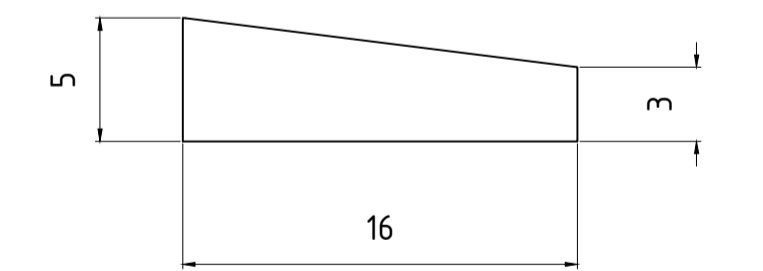


Scale 1:2

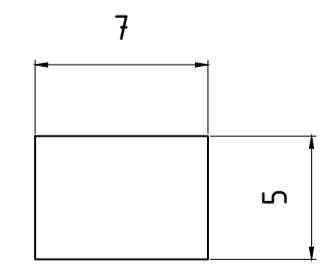
04. Base Plate  
5" x 5" x 3/16"  
1pcs



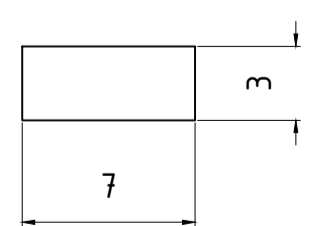
05. 5" Standard Cover Plate  
1pcs



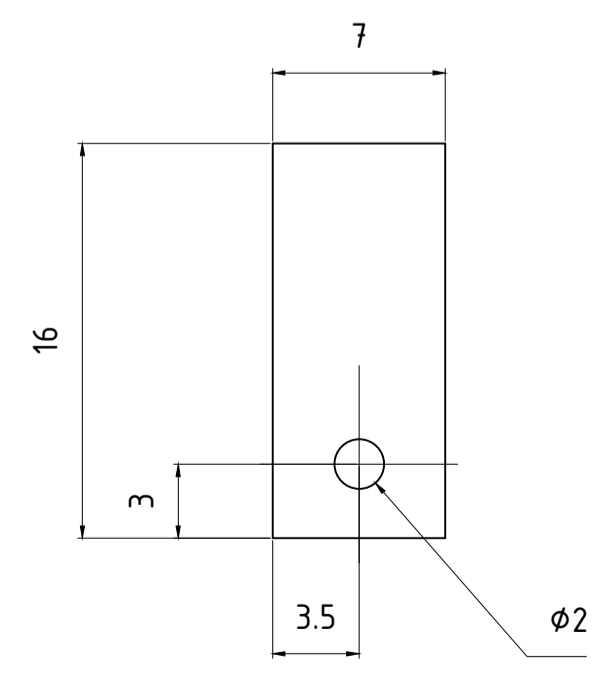
06. Side Face Doorbird Box  
16" x 5" x 14 Gau  
2pcs



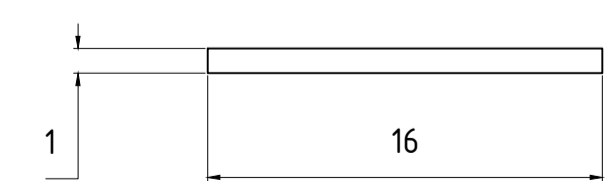
07. Top Face Doorbird Box  
7" x 5" x 14 Gau  
1pcs



08. Bottom Face Doorbird Box  
7" x 3" x 14 Gau  
1pcs



09. Main Face Doorbird Box  
16" x 7" x 14 Gau  
1pcs



10. Frame Doorbird Box  
1" x 0.5" x 16"  
2pcs

ITEM NO.	MATERIAL	DESCRIPTION	DETAIL	LENGTH	QTY.	TOTAL (ft)
1	Rectangular tube - 2"x2"	14 Gau	Long Steel Tube	52"	1	5.75
			Short Steel Tube	6"	1	
			Curvy Steel Tube	11"	1	
2	Sheet Metal 5"x5"x3/16"		Base Plate		1pcs	
3	5" Standard Cover Plate		Item#		1pcs	
4	Sheet Metal 14 Gau	14 Gau	Side Face Doorbird Box	16"x5"x14Gau	2pcs	
			Top Face Doorbird Box	7"x5"x14Gau	1pcs	
			Bottom Face Doorbird Box	7"x3"x14Gau	1pcs	
			Main Face Doorbird Box	16"x7"x14Gau	1pcs	
5	Rectangular tube - 1"x0.5"	14 Gau	Frame Doorbird Box	16"	2	2.7

**METAL SOLUTIONS** METAL SOLUTION USA, LLC.

Design	Pham Tien Dat	Date	02/07/2023
Signature		Page	1 of 1
REV	00	Title	Pedestal Pole 58 Inches Tall
Dimension	71" x 20" x 7"	Drawing NO.	PDT5BINCHESBLK
View	First-angle projection	Scale	1:5